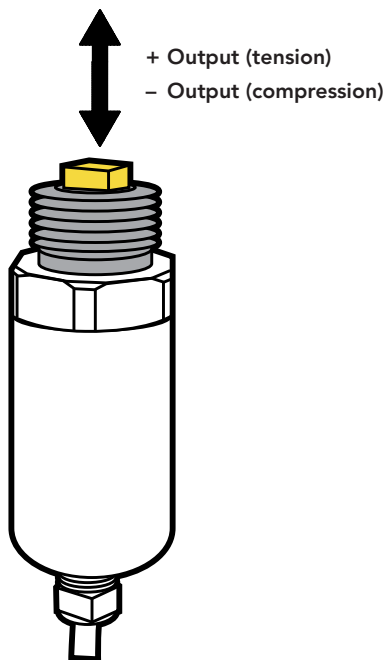




FEATURES

- Miniature size
- Easy installation
- Built in overload protection
- Mounting flats to prevent damage during installation
- Axial cable

- Active end
- Fixed end



SPECIFICATIONS

PERFORMANCE

Nonlinearity	±0.1% of RO
Hysteresis	±0.1% of RO
Nonrepeatability	±0.05% of RO

ELECTRICAL

Rated Output (RO)	0.5 mV/V (10 g) 1 mV/V (20 g) 2 mV/V (50 g–5 lb)
Excitation (VDC or VAC)	10 max
Bridge Resistance	1000 Ohm nom (10–250 g) 350 Ohm nom (1–5 lb)
Insulation Resistance	≥500 MOhm @ 50 VDC
Connection	#28 AWG, 4 conductor, braided shielded clear PVC cable, 10 ft [3 m] long
Wiring Code	WC1

MECHANICAL

Weight	1.5 oz [43 g]
Safe Overload	1000% of RO
Material	Aluminum
IP Rating	IP40

TEMPERATURE

Operating Temperature	-60 to 200°F [-50 to 93°C]
Compensated Temperature	60 to 160°F [15 to 72°C]
Temperature Shift Zero	±0.01% of RO/°F [0.018% of RO/°C]
Temperature Shift Span	±0.02% of Load/°F [0.036% of Load/°C]

CALIBRATION

Calibration Test Excitation	5 VDC
Calibration (standard)	5-pt compression
Calibration (available)	5-pt Tension and Compression
Shunt Calibration Value	301 kOhm (10–20 g) 150 kOhm (50–250 g) 60.4 kOhm (1–5 lb)

Sensor Solution Source

Load · Torque · Pressure · Multi-Axis · Calibration · Instruments · Software

www.futek.com

DSPM Industria
sensori & trasduttori

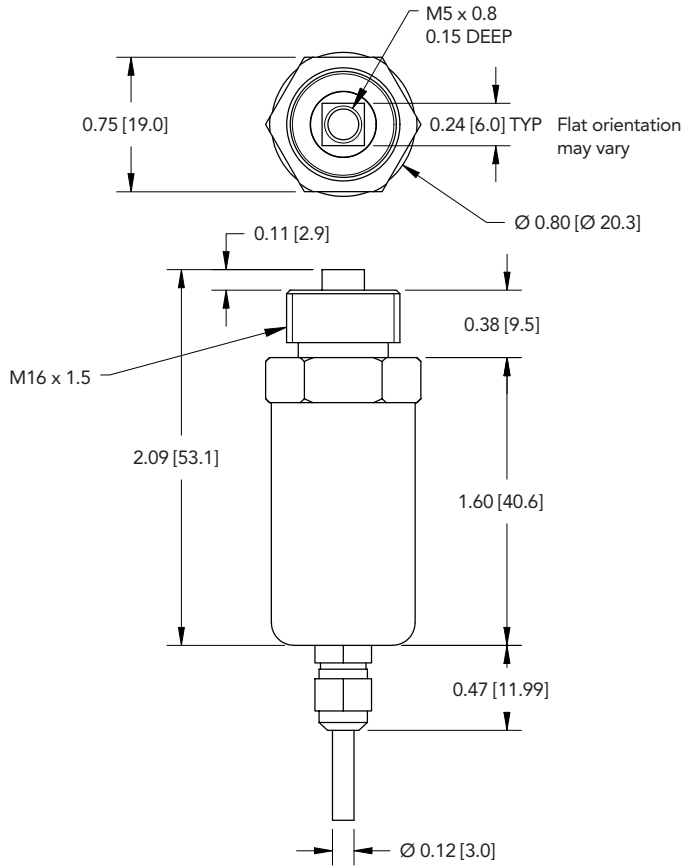
Via Paolo Uccello 4 - 20148 Milano
Tel +39 02 48 009 757 Fax +39 02 48 002 070

info@dspmindustria.it www.dspmindustria.it

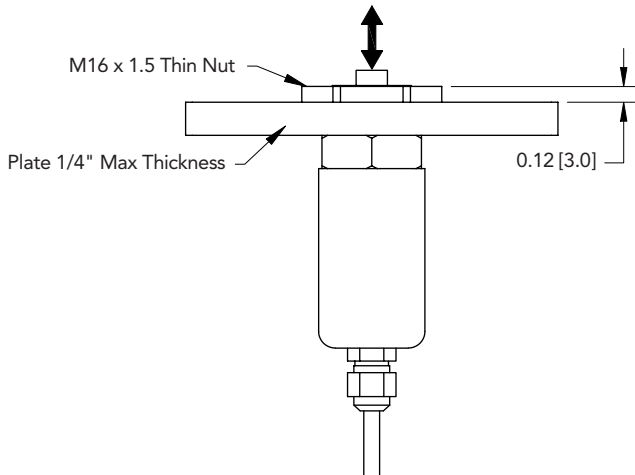


U.S. Manufacturer

DIMENSIONS inches [mm]

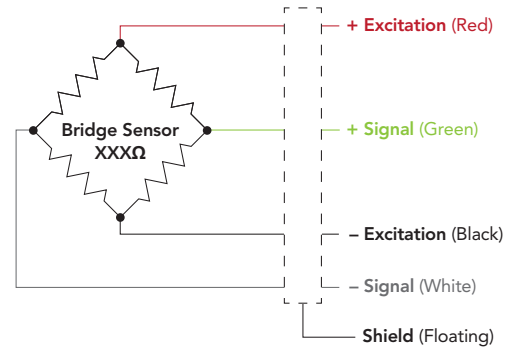


SUGGESTED MOUNTING APPLICATION



WIRING CODE (WC1 WITH SHIELD)

RED	+ EXCITATION
BLACK	- EXCITATION
GREEN	+ SIGNAL
WHITE	- SIGNAL
SHIELD	FLOATING



CAPACITIES

ITEM #	lb	N	Deflection (in)
FSH03395	10 g	0.1	0.004
FSH03400	1	4.5	0.004
FSH03401	2	8.9	0.004
FSH03402	5	22.2	0.005

Drawing Number: FI1313-D

FUTEK reserves the right to modify its design and specifications without notice.