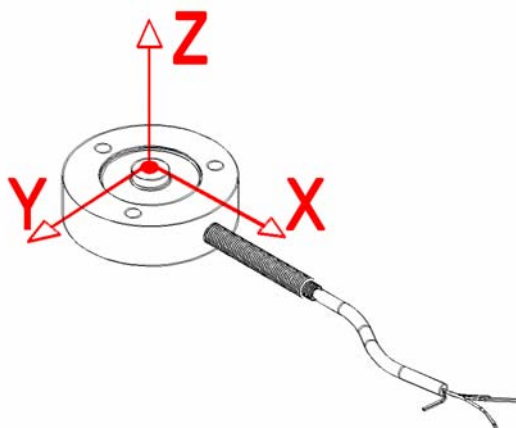


Deflection & Natural Frequency



Material	Capacity (lb)	Deflection (in.)	Natural Frequency (Hz)	β
(S.S.*)	100	0.0009	12,300	0.0072
	250	0.0009	18,000	0.0089
	500	0.0008	24,000	0.0107
	1,000	0.0008	29,900	0.0135
	2,000	0.0014	30,700	0.0151
	2,500	0.0015	31,800	0.0162

*FN results are based on calculation of deflection & weight scene on Sensor arm.

Natural Frequency & Frequency Response Equation's:

$$\text{Natural Frequency (FN)} = 3.13 \sqrt{\frac{1}{\frac{\beta}{\text{Capacity}} \cdot \text{Deflection}}} \text{ (Hz)}$$

$$\text{Frequency Response with load (FR)} = 3.13 \sqrt{\frac{1}{\frac{\beta + \text{AppliedLoad}}{\text{Capacity}} \cdot \text{Deflection}}} \text{ (Hz)}$$

*Where β values are obtained by Futek Engineers

This documentation was generated and completed to the best ability of FUTEK's Engineering Team using FEA Analysis, Empirical data and Multiple Testing Simulations. The information and recommendations on this document are presented in good faith and believed to be correct however, FUTEK Advanced Sensor Technology makes no representations or warranties as to the completeness or accuracy of the information.