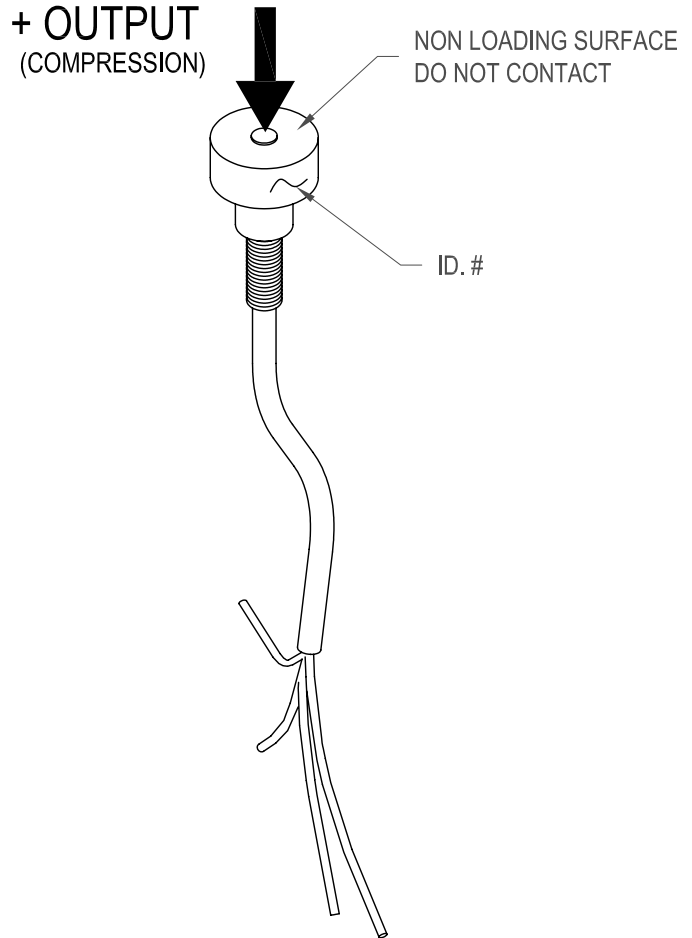
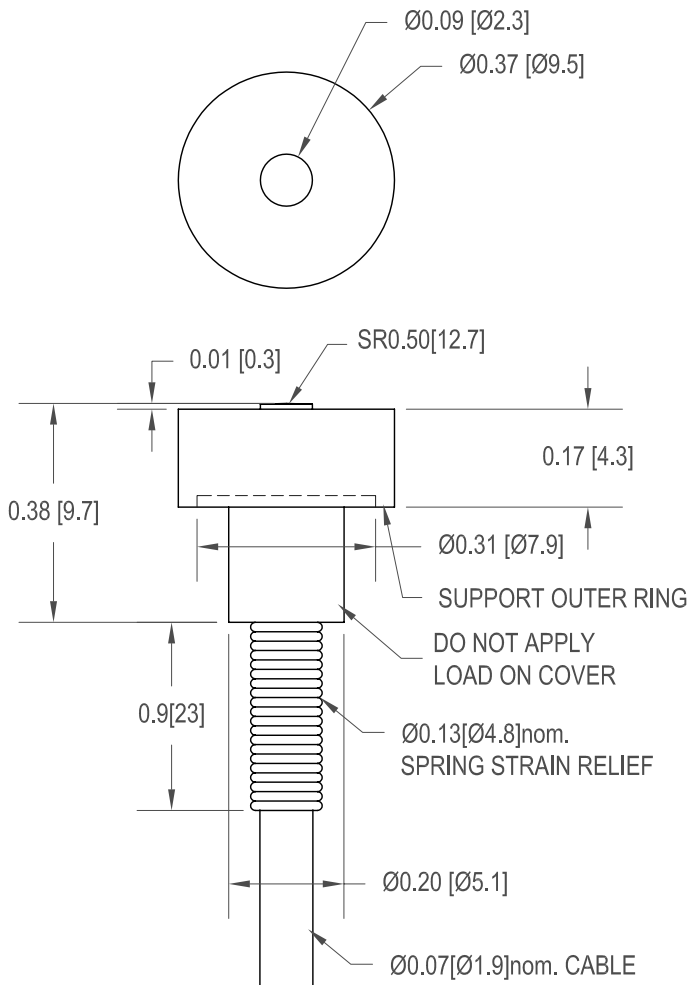


FUTEK MODEL LLB205 (L1611) SUBMINIATURE LOAD BUTTON LOAD CELL

Drawing Number: FI1257

INCH [mm] R.O.= Rated Output

WIRING CODE (WC1)			
+Excitation	-Excitation	+Signal	-Signal
RED	BLACK	GREEN	WHITE
Shield			
FLOATING			



SPECIFICATIONS:

SAFE OVERLOAD	150% of R.O.
ZERO BALANCE	$\pm 3\%$ of R.O.
EXCITATION (VDC OR VAC)	7 MAX
BRIDGE RESISTANCE	350 Ω nom.
NONLINEARITY	$\pm 0.5\%$ of R.O.
HYSTERESIS	$\pm 0.5\%$ of R.O.
NONREPEATABILITY	$\pm 0.1\%$ of R.O.
TEMP. SHIFT ZERO	$\pm 0.02\%$ of R.O./ $^{\circ}$ F [0.036% of R.O./ $^{\circ}$ C]
TEMP. SHIFT SPAN	$\pm 0.02\%$ of LOAD/ $^{\circ}$ F [0.036% of LOAD/ $^{\circ}$ C]
COMPENSATED TEMP.	60 to 160 $^{\circ}$ F [15 to 72 $^{\circ}$ C]
OPERATING TEMP.	-60 to 200 $^{\circ}$ F [-50 to 93 $^{\circ}$ C]
WEIGHT	1 oz [28 g]
MATERIAL	17-4 PH S.S.
DEFLECTION	0.002 [0.05] nom.
CABLE: #29 AWG, 4 Conductor, Spiral Shielded Silicone Cable 10 ft [3m] Long	
ACCESSORIES AND RELATED INSTRUMENTS AVAILABLE	
CALIBRATION (STD)	5 pt. COMPRESSION; 60.4 K Ω SHUNT CAL. VALUE
CALIBRATION TEST EXCITATION	5 VDC

STOCK NO:	CAPACITIES		RATED OUTPUT (nom.)
	lb	N	
FSH02616	10	44.5	1.5 mV/V
FSH02617	25	111	2 mV/V
FSH02618	50	222	

REFER TO LLB200 FOR SIDE CABLE EXIT VERSION