

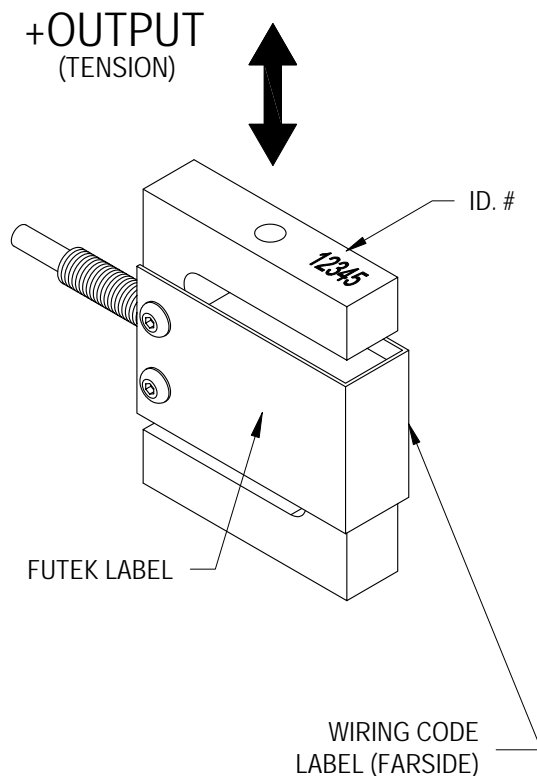
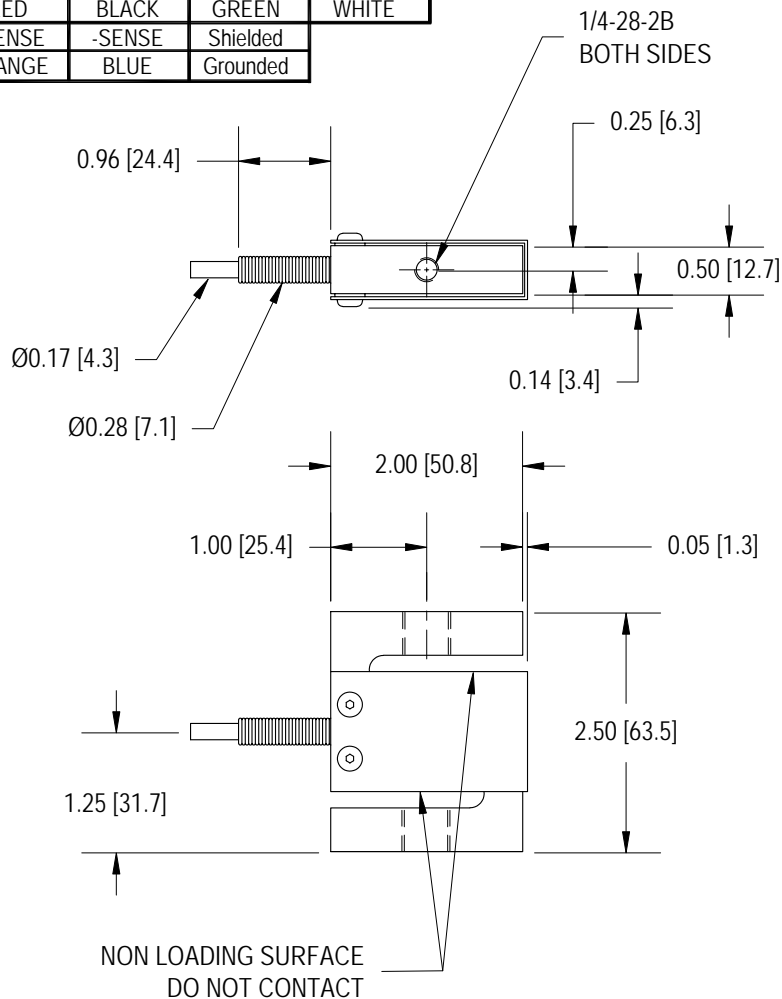
# FUTEK MODEL LSB303

# 3mV/V S-BEAM LOAD CELL IN TENSION AND COMPRESSION (Previously L2361)

**Drawing Number: FI1076-B**

**INCH [mm] | R.O.= Rated Output**

| WIRING CODE (WC4) |             |          |         |
|-------------------|-------------|----------|---------|
| +Excitation       | -Excitation | +Signal  | -Signal |
| RED               | BLACK       | GREEN    | WHITE   |
| +SENSE            | -SENSE      | Shielded |         |
| ORANGE            | BLUE        | Grounded |         |



## SPECIFICATIONS:

|   |  |
|---|--|
| <b>RATED OUTPUT</b>   | 3 mV/V nom. (Matched Output Optional)      |
| <b>SAFE OVERLOAD</b>  | 150% of R.O.                               |
| <b>ZERO BALANCE</b>   | ±1% of R.O.                                |
| <b>EXCITATION (VDC OR VAC)</b>  | 18 MAX                                     |
| <b>BRIDGE RESISTANCE</b>  | 350 Ω nom.                                 |
| <b>NONLINEARITY</b>   | ±0.05% of R.O.                             |
| <b>HYSTERESIS</b>   | ±0.05% of R.O.                             |
| <b>NONREPEATABILITY</b>   | ±0.01% of R.O.                             |
| <b>TEMP. SHIFT ZERO</b>   | ±0.001% of R.O./°F [0.0018% of R.O./°C]    |
| <b>TEMP. SHIFT SPAN</b>   | ±0.0008% of LOAD/°F [0.0014% of LOAD/°C]   |
| <b>COMPENSATED TEMP.</b>  | 60 to 160°F [15 to 72°C]                   |
| <b>OPERATING TEMP.</b>  | -40 to 200°F [-40 to 93°C]                 |
| <b>MATERIAL</b>   | 17-4 PH S.S.                               |
| <b>CABLE: #28 AWG, 6 Conductor, Spiral Shielded Polyurethane Cable 5 ft [ 1.5m ] Long</b> |  |
| <b>ACCESSORIES AND RELATED INSTRUMENTS AVAILABLE</b>                                      |  |
| <b>CALIBRATION (STD)</b>  | 5 pt. TENSION; 43.575K Ω. SHUNT CAL. VALUE |
| <b>CALIBRATION (AVAILABLE)</b>  | COMPRESSION                                |
| <b>CALIBRATION TEST EXCITATION</b>  | 10 VDC                                     |

| STK#     | CAPACITIES |      |
|----------|------------|------|
|          | lb         | N    |
| FSH02090 | 10         | 45   |
| FSH02091 | 25         | 111  |
| FSH02092 | 50         | 222  |
| FSH02093 | 100        | 445  |
| FSH02094 | 200        | 890  |
| FSH02095 | 300        | 1334 |