

FUTEK MODEL LMD500
STK# FSH00127

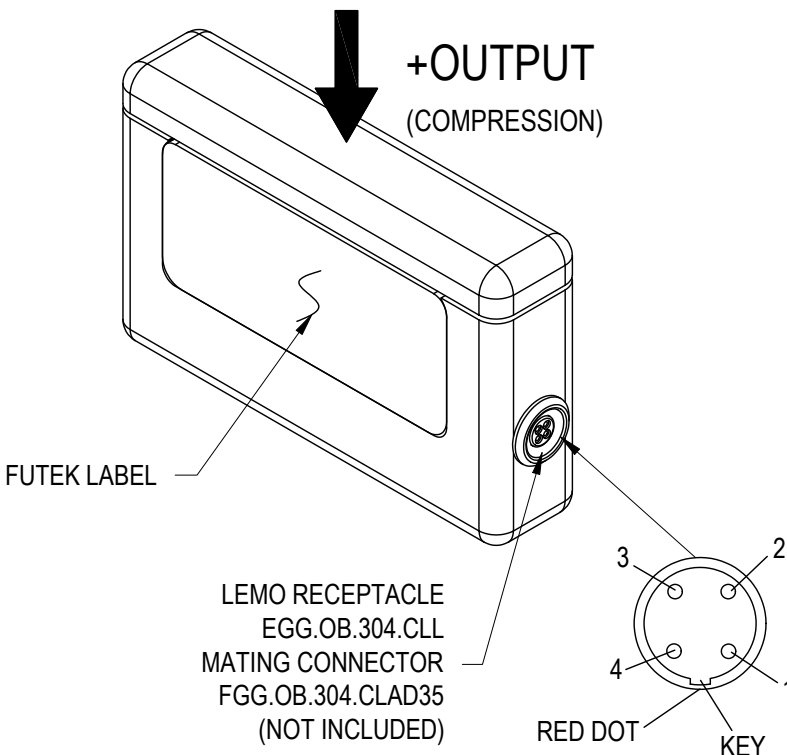
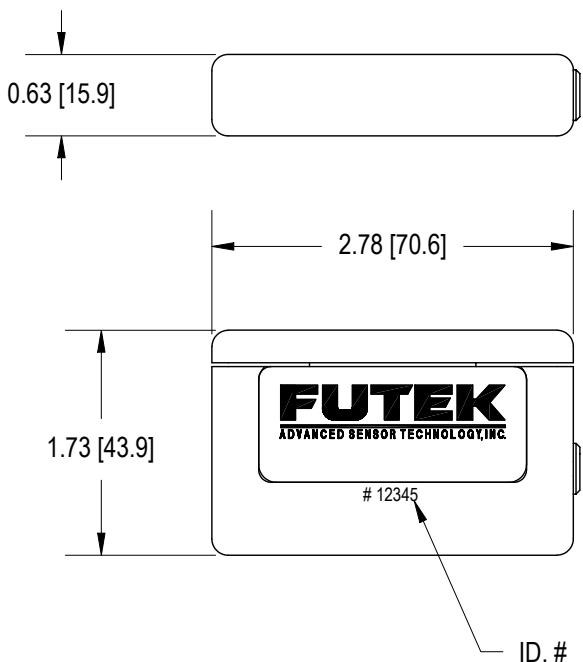
HAND GRIPPER

(Previously L1000)

Drawing Number: FI1118-A

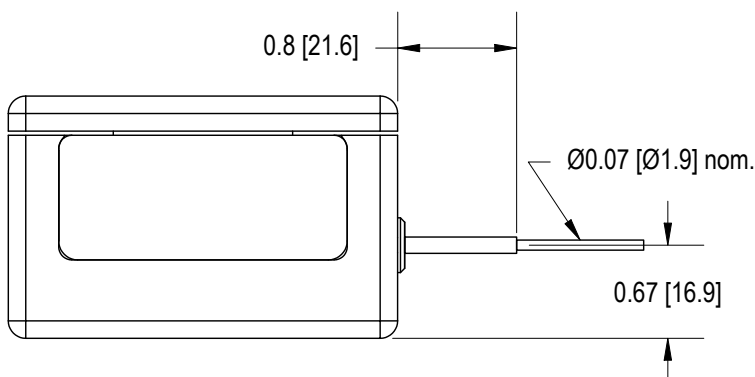
INCH (mm) | R.O.= Rated Output

WIRING CODE (CC4)			
+Excitation	-Excitation	+Signal	-Signal
1	4	2	3



Cable Option - STK# FSH00125
#29 AWG, 4 Conductor, Spiral Shielded Teflon Cable, 10 ft (3 m)

WIRING CODE (WC1)			
+Excitation	-Excitation	+Signal	-Signal
RED	BLACK	GREEN	WHITE



SPECIFICATIONS:

RATED OUTPUT	3 mV/V nom.
CAPACITY lb	300
N	1334
SAFE OVERLOAD	150% of R.O.
ZERO BALANCE	±3% of R.O.
EXCITATION (VDC OR VAC)	18 MAX
BRIDGE RESISTANCE	350 Ω nom.
NONLINEARITY	±0.25% of R.O.
HYSTERESIS	±0.25% of R.O.
TEMP. SHIFT ZERO	±0.02% of R.O./°F [0.036% of R.O./°C]
TEMP. SHIFT SPAN	±0.02% of LOAD/°F [0.036% of LOAD/°C]
COMPENSATED TEMP.	60 to 160°F [15 to 72°C]
OPERATING TEMP.	-60 to 200°F [-50 to 93°C]
WEIGHT	3.6 oz [102 g]
MATERIAL	ALUMINUM
DEFLECTION	0.002 [0.05] nom.
CONNECTOR: 4 PIN LEMO RECEPTACLE (EGG.OB.304.CLL)	
ACCESSORIES AND RELATED INSTRUMENTS AVAILABLE	
CALIBRATION (STD)	2 pt. COMPRESSION; 43.575KΩ SHUNT CAL. VALUE
CALIBRATION TEST EXCITATION	10 VDC

FUTEK
ADVANCED SENSOR TECHNOLOGY, INC.

This drawing is submitted solely for the information and exclusive use of the original addressee. It is not to be divulged in whole or in part, by any firm or individual without written permission from FUTEK

DSPM Industria
sensori & trasduttori

Via Paolo Uccello 4 - 20148 Milano
Tel +39 02 48 00 97 57 info@dspmindustria.it www.dspmindustria.it