



S Beam Tension and Compression Load Cell with Built-In Overload Protection



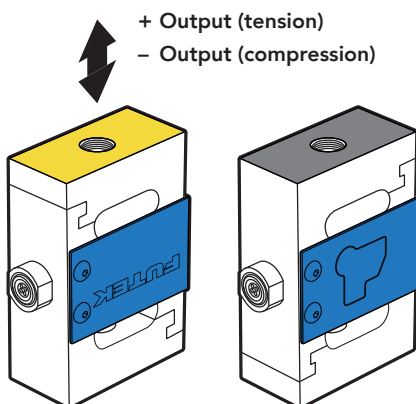
FEATURES

- High accuracy $\pm 0.05\%$ nonlinearity
- $\pm 0.01\%$ nonrepeatability ensures precision for critical applications
- Robust design and heat-treated, aerospace grade stainless steel optimizes durability, linearity and off-center loading capabilities
- Superior temperature compensation compared with conventional market solutions

 Non-loading surface, do not contact

 Active End

 Fixed End



SPECIFICATIONS

PERFORMANCE

Nonlinearity	$\pm 0.05\%$ of RO
Hysteresis	$\pm 0.05\%$ of RO
Nonrepeatability	$\pm 0.01\%$ of RO

ELECTRICAL

Rated Output (RO)	3 mV/V nom
Excitation (VDC or VAC)	18 max
Bridge Resistance	350 Ohm nom
Connection	LEMO® connector receptacle
Wiring/Connector Code	CC4

MECHANICAL

Weight (approximate)	1.28 lb [580.6 g]
Safe Overload	500% of RO
Material	17-4 PH stainless steel
IP Rating	IP50

TEMPERATURE

Operating Temperature	-45 to 200°F [-40 to 93°C]
Compensated Temperature	60 to 160°F [15 to 72°C]
Temperature Shift Zero	$\pm 0.001\%$ of RO/°F [0.0018% of RO/°C]
Temperature Shift Span	$\pm 0.0008\%$ of Load/°F [0.0014% of Load/°C]

CALIBRATION

Calibration Test Excitation	10 VDC
Calibration (standard)	5-pt Tension; 43.575 kOhm Shunt Cal. Value
Calibration (available)	Compression

Sensor Solution Source

Load · Torque · Pressure · Multi-Axis · Calibration · Instruments · Software

www.futek.com

DSPM Industria
sensori & trasduttori

Via Paolo Uccello 4 - 20148 Milano
Tel +39 02 48 009 757 Fax +39 02 48 002 070



U.S. Manufacturer

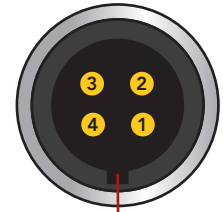
info@dspmindustria.it www.dspmindustria.it

CAPACITIES

ITEM #	lb	N	Natural Frequency (Hz)	Deflection (in.)
FSH01843	500	2224	340	0.006
FSH02510	1000	4448	1200	0.010

LEMO 4-PIN (CC4)

PIN	COLOR	DESCRIPTION
1	Red	+ Excitation
2	Green	+ Signal
3	White	- Signal
4	Black	- Excitation



Align with key

Sensor Receptacle View

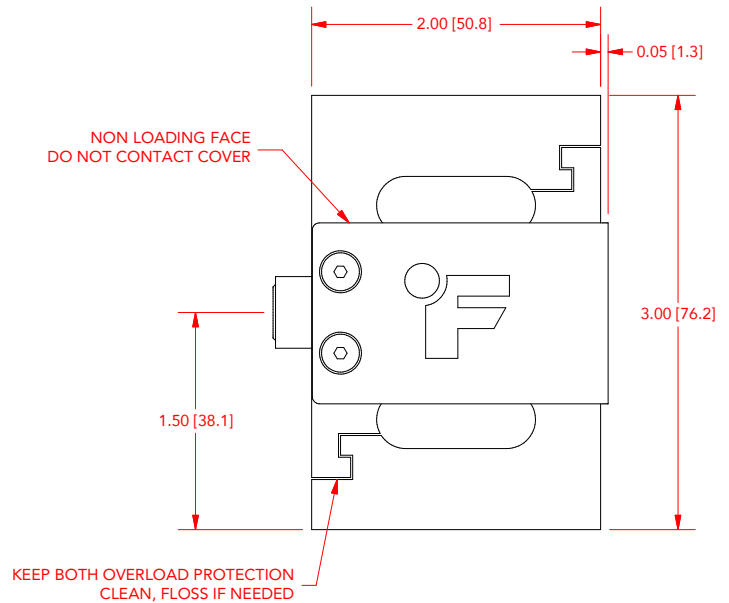
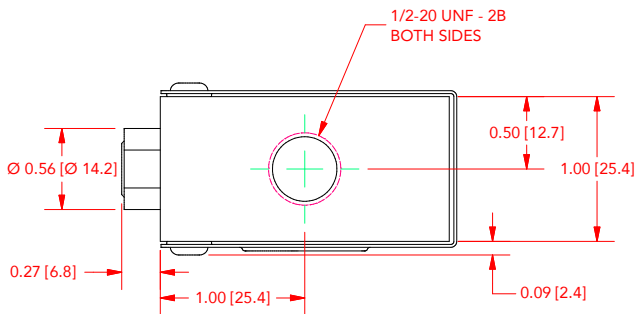
DIMENSIONS inches [mm]

TOLERANCE:

.X ± 0.1" [2.5 mm]

.XX ± 0.01" [0.25 mm]

.XXX ± 0.005" [0.127 mm]



Drawing Number: F11078-C

FUTEK reserves the right to modify its design and specifications without notice.

Please visit www.futek.com/salesterms for complete terms and conditions.

www.futek.com



U.S. Manufacturer