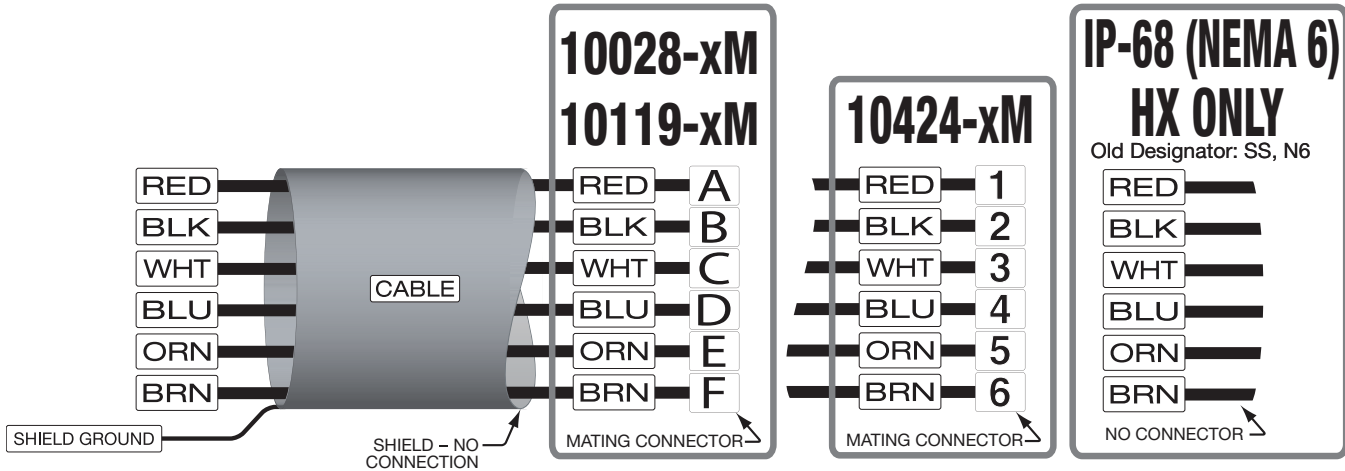


CONNESSIONE ELETTRICA CON CAVO



CH=Channel
NC=No Connection

ANALOG POSITION

WIRE COLOR	CONN PIN	PA HX-PA	PB HX-PB	P420 HX-P420	P510 HX-P510	P1010 HX-P1010	P1010SI HX-P1010SI
RED	A 1	+Vin	+Vin	+Vin	+Vin	+15Vin	+Vin
BLK	B 2	COM	GND	Vout	COM	-15Vin	COM
WHT	C 3	+Vout	±Vout	NC	COM	COM	COM
BLU	D 4	NC	COM OUT	NC	±Vout	±Vout	±Vout
ORN	E 5	NC	NC	NC	NC	NC	NC
BRN	F 6	NC	NC	NC	NC	NC	NC

ANALOG POSITION AND VELOCITY

WIRE COLOR	CONN PIN	PA HX-PA	PB HX-PB	P420 HX-P420	P510 HX-P510	P1010 HX-P1010	P1010SI HX-P1010SI
RED	A 1	+Vin	+Vin	+Vin	+Vin	+15Vin	+Vin
BLK	B 2	COM	GND	Vout	COM	-15Vin	COM
WHT	C 3	+Vout	±Vout	NC	COM	COM	COM
BLU	D 4	NC	COM OUT	NC	±Vout	±Vout	±Vout
ORN	E 5	+Vout	+Vout	+Vout	+Vout	+Vout	+Vout
BRN	F 6	-Vout	-Vout	-Vout	-Vout	-Vout	-Vout

DIGITAL POSITION

WIRE COLOR	CONN PIN	10 (EP)	11 (I)	50 (H1)	20 (H2)	60 (H3)	70 (H4)	30 (H5)
RED	A 1	+Vin	+Vin	+Vin	+Vin	+Vin	+Vin	+Vin
BLK	B 2	COM	COM	COM	COM	COM	COM	COM
WHT	C 3	CH A	CH A	CH A	CH A	CH A	CH A	CH A
BLU	D 4	CH B	CH B	CH B	CH \bar{A}	CH \bar{A}	CH \bar{A}	CH \bar{A}
ORN	E 5	NC	CH Z	NC	CH B	CH B	CH B	CH B
BRN	F 6	NC	NC	NC	CH \bar{B}	CH \bar{B}	CH \bar{B}	CH \bar{B}

VELOCITY

WIRE COLOR	CONN PIN	V HX-V
RED	A 1	NC
BLK	B 2	NC
WHT	C 3	NC
BLU	D 4	NC
ORN	E 5	+Vout
BRN	F 6	-Vout

400305A.INDD 400305A.PDF